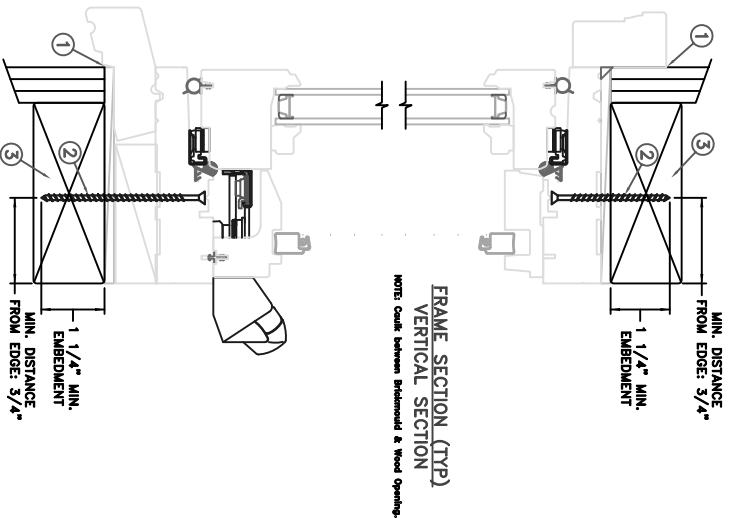


TYPICAL ELEVATION WITH FASTENER SPACING



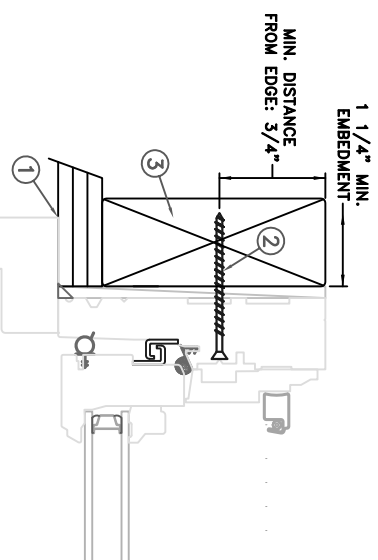
MIN. DISTANCE FROM EDGE: 3/4"

1 1/4" MIN. EMBEDMENT

FRAME SECTION (TYP)  
VERTICAL SECTION

NOTE: Caulk between Sideroad & Wood Opening.

THRU JAMB INSTALLATION



FRAME JAMB SECTION (TYP)  
HORIZONTAL SECTION

NOTE: Caulk between Sideroad & Wood Opening.

OPERATING AWNING WINDOW			
Max Frame	DP	IMPACT	
60 x 48	+/-35	NO	

**Installed Fastener Schedule:**

1. Seal flange/frame to substrate.
2. Use #8 PH or greater fasteners through frame with sufficient length to penetrate a minimum of 1 1/4" into the wood framing. For 2X wood frame substrate (min. S.G. = 0.42).
3. Host structure (wood buck, stud framing and opening) to be designed and anchored to properly transfer all loads to the structure. The host structure is the responsibility of the architect or engineer of record for the project of installation.

**General Notes:**

1. The product shown herein is designed, tested and manufactured to comply with the wind load criteria of the adopted International Building Code (IBC), the International Residential Code (IRC), the Florida Building Code (FBC) and the industry standard requirement for the stated conditions.
2. Buck, framing and masonry by others and its responsibility of architect or engineer of record.
3. All glazing shall conform to ASTM E1300.
4. At minimum, glazing shall be double strength annealed insulating glass.

This schedule addresses only the fasteners required to anchor the window to achieve the rated design pressure up to the size limitations noted. It is not intended as a guide to the installation process and does not address the sealing consideration that may arise in different wall conditions. For the complete installation procedure, see the instructions packaged with the window or go to [www.jeld-wen.com](http://www.jeld-wen.com).

**DISCLAIMER:**

This drawing and its contents are confidential and are not to be reproduced or copied in whole or in part or used or disclosed to others except as authorized by JELD-WEN Inc.

PROJECT ENGINEER:	DATE:	02/09/2015
DRAWN BY:	SCALE:	NTS
D. Vezo	TITLE:	Custom Wood Awning Operator
CHECKED BY:		
D. Stokes		
APPROVED BY:		
PART/PROJECT No.:	PLANT NAME AND LOCATION:	
D009289	Bend, Oregon	
IDENTIFIER No.:	CAD DWG. No.:	REV.:
NA		00
		SHEET

**JELD-WEN**

3737 Lakeport Blvd  
Klamath Falls, OR, 97601  
Phone: (541) 882-3451